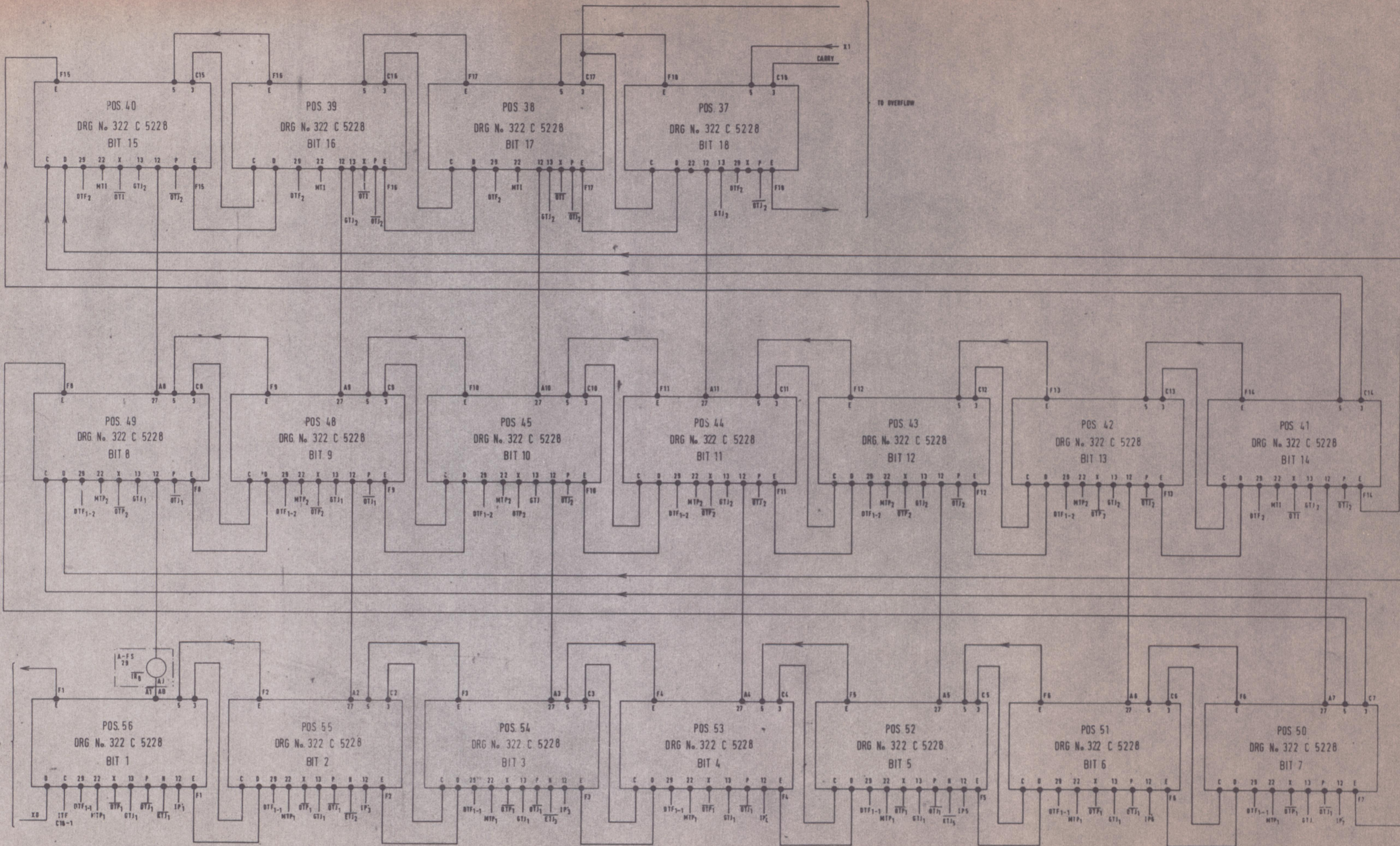


H  
G  
F  
E  
D  
C  
B  
A

H  
G  
F  
E  
D  
C  
B  
A



920B REGISTER  
BITS 1-13

A7

LATEST M.I. INCORPORATED M.I. 2998

ISSUE No.		A		I		MATERIAL		FINISH		ELLIOTT BROTHERS (LONDON) LTD		
ALTM No.		P792								TITLE		
DATE		10/10/56		6/12/66						920B REGISTER BITS 1-18		
INITIALS		W.S.A.H.								SCALE DRAWING No. 322D8267		
PARTS LIST No.		DRAWN		CHECKED		APPROVED		DATE				
		J.S.B.		H.A.		21.7.66						

81895-1-50